

AVC-TCE51F28
5MP INFINITECOLOR TURRET CAMERA



InfiniteColor
 (Full Color Technology)



5MP INFINITECOLOR TURRET CAMERA

5MP INFINITECOLOR TURRET CAMERA

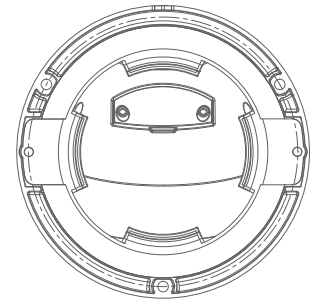
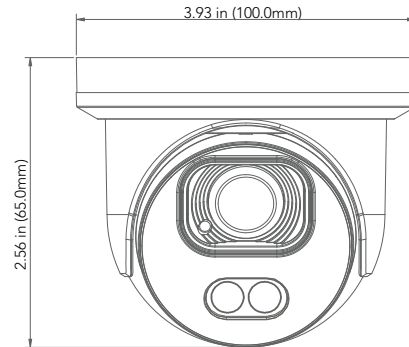
Our Second Generation HD-TVI Series continues providing the quality expected from the AVYCON brand. This 5MP camera includes an upgraded Smart IR LED array, new DIP switch design for easily changing video formats (HD-TVI, CVI, AHD and Analog), and a sleek new magnetic ring designed to hide all mounting screws from view and create a seamless body look. With the newest generation chipset and board design, we have also increased power efficiency with a possible 20% savings in consumption. This camera also includes AoC(Audio over Coaxial) up to 22.9ft and a 2.8mm fixed Lens with Autofocus capabilities that can be controlled through the DVR. Also standard with this series is Digital NR, AGC, DWDR, and BLC capabilities along with IP67 outdoor rating.

FUNCTIONS

- 5MP (2608 x 1960) @ 20fps
- Max. Resolution: 2608 x 1960
- True Day & Night ICR
- Up to 98 ft. IR Illumination
- Fixed 2.8mm Lens
- 2D DNR, Digital WDR, HLC, BLC
- AoC(Audio over Coaxial) up to 22.9ft
- Supports Remote Access with Windows, macOS, iOS and Android
- Operating Temperature: -22°F - 122°F
- DC12V
- NDA A Compliant

DIMENSIONS

Unit : inch (mm)



OPTIONAL ACCESSORIES



AVM-JB-BE-S1(-G)
 JUNCTION BOX



AVM-CWM-EV-S1
 WALL MOUNT



AVM-HWM-E-S1
 WALL MOUNT WITH
 JUNCTION BOX



AVM-HCM-E-S1
 CEILING MOUNT WITH
 JUNCTION BOX



AVM-CRM-A1
 CORNER MOUNT



AVM-POM-A1
 POLE MOUNT

AVC-TCE51F28
5MP INFINITECOLOR TURRET CAMERA

SPECIFICATIONS

| CAMERA | |
|------------------------------|---|
| Image Sensor | 1/2.7" Progressive Scan CMOS |
| Resolution | 5MP |
| Image Size | 2608 x 1960 |
| Video Output | 1-channel BNC Video Output |
| Image System | PAL / NTSC |
| Electronic Shutter Speed | Auto |
| IR Distance | Up to 98ft. |
| Video Formats | HD-TVI / AHD / CVI / CVBS(Analog) |
| Frame Rate | HD-TVI / AHD / CVI : 20FPS CVBS Analog: 960H |
| Min. Illumination | 0.05lux@F1.2(AGC ON),0Lux with IR ON |
| Lens | fixed 2.8mm Lens |
| Angular Field of View | H:109.7° / V:57.6° / D:131.0° |
| Lens Mount | φ14mm |
| S/N Ratio | 36dB |
| Function Control | OSD, Control over Coax (UTC) |
| IMAGE | |
| Day & Night | Color / Ext / BW (Black and White) |
| Digital WDR | Yes |
| Digital Noise Reduction | Yes (2D DNR) |
| Auto Gain Control (AGC) | Yes |
| Auto White Balance (AWB) | Yes |
| Backlight Compensation (BLC) | No |
| Edge Brightness Compensation | Yes |
| Defog | Yes |
| HLC | Yes |
| Sharpness | Yes |
| Mirror Image | Yes |
| Smart IR (Anti-SAT) | Yes |
| Image Setting | Yes |
| Defect Correction | Auto / Manual |
| GENERAL | |
| Audio | Audio over coaxial |
| Audio Range | 22.9ft(7m) |
| Angle Adjustment | Any Angle |
| Input Voltage | DC 12V (±10%) |
| Power Consumption | IR OFF ≤0.8W, IR ON ≤4W |
| Ingress Protection | IP67 |
| Working Temperature | -22°~131° F (-30°~55° Celcius) |
| Dimensions | 3.93" x 2.56" (100.0mm x 65.0mm) |



AVYCON[®]

Copyright © AVYCON. All rights reserved. Specifications and pricing are subject to change without notice.

phone: 949-752-7606
 email: info@avycon.com
 social: @avycon_aivo
 website: avycon.com